

DATE	REVISION	APPROVED	DATE
9-4-51	Revised Sewer Alignment & Grade in 2'-5"	J. J. Williams	9-5-51

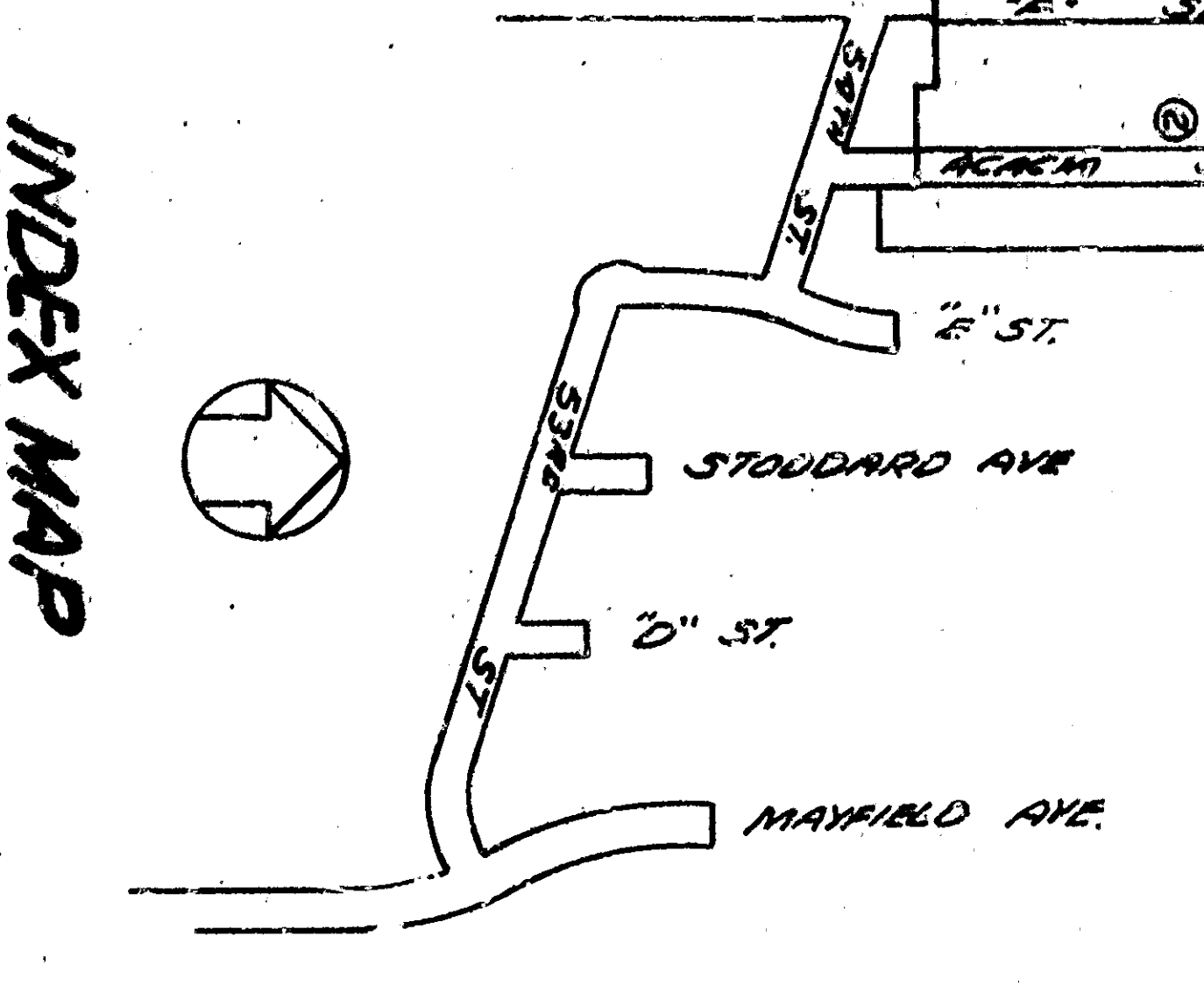
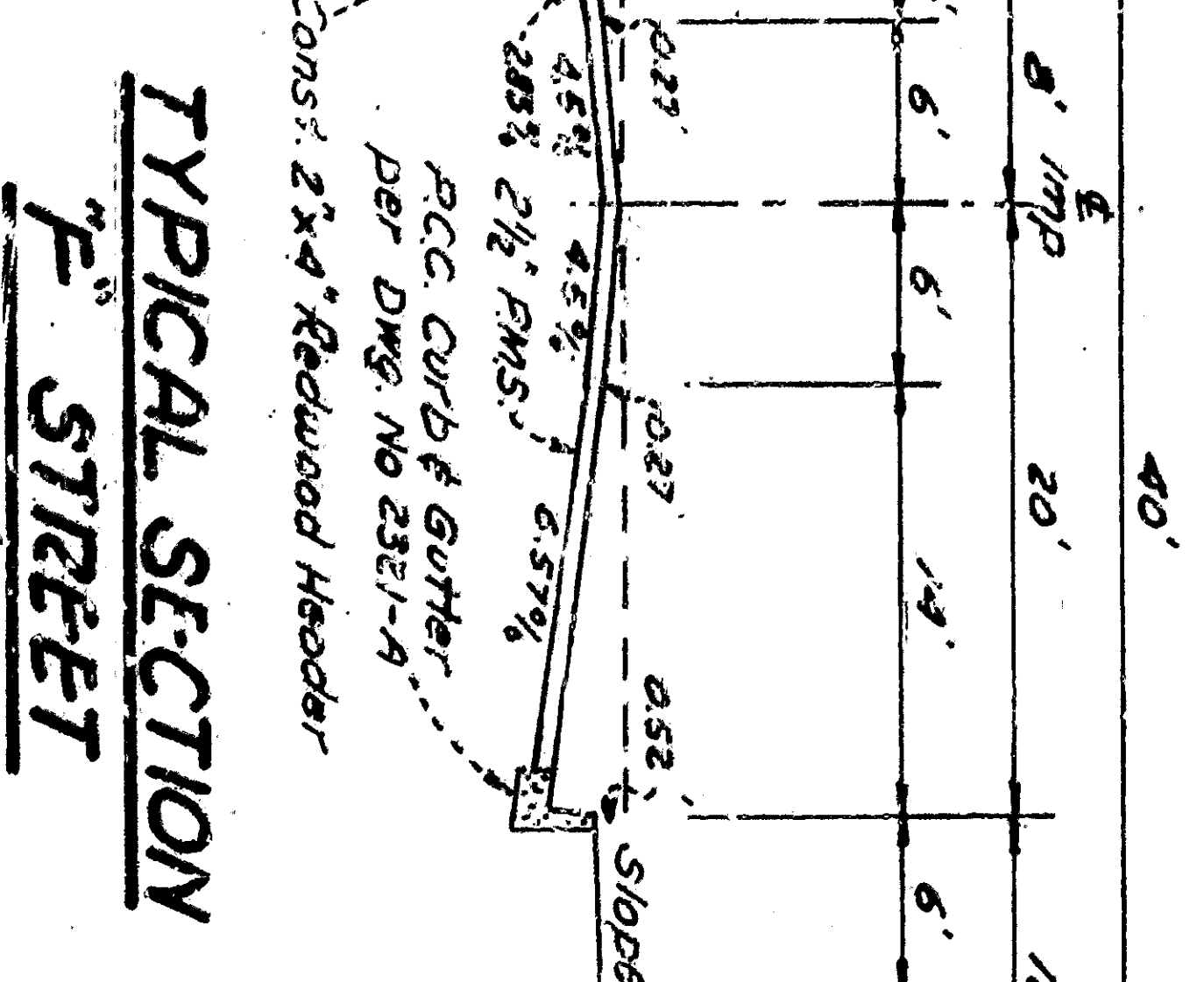
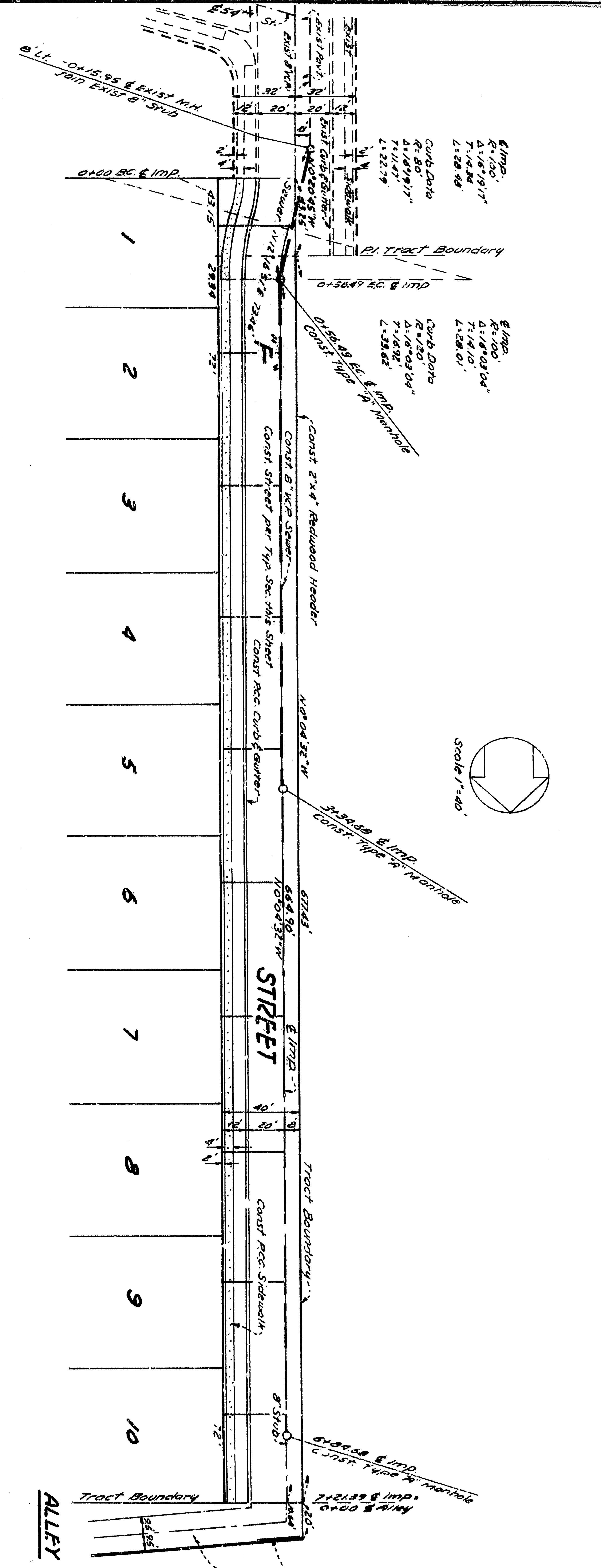
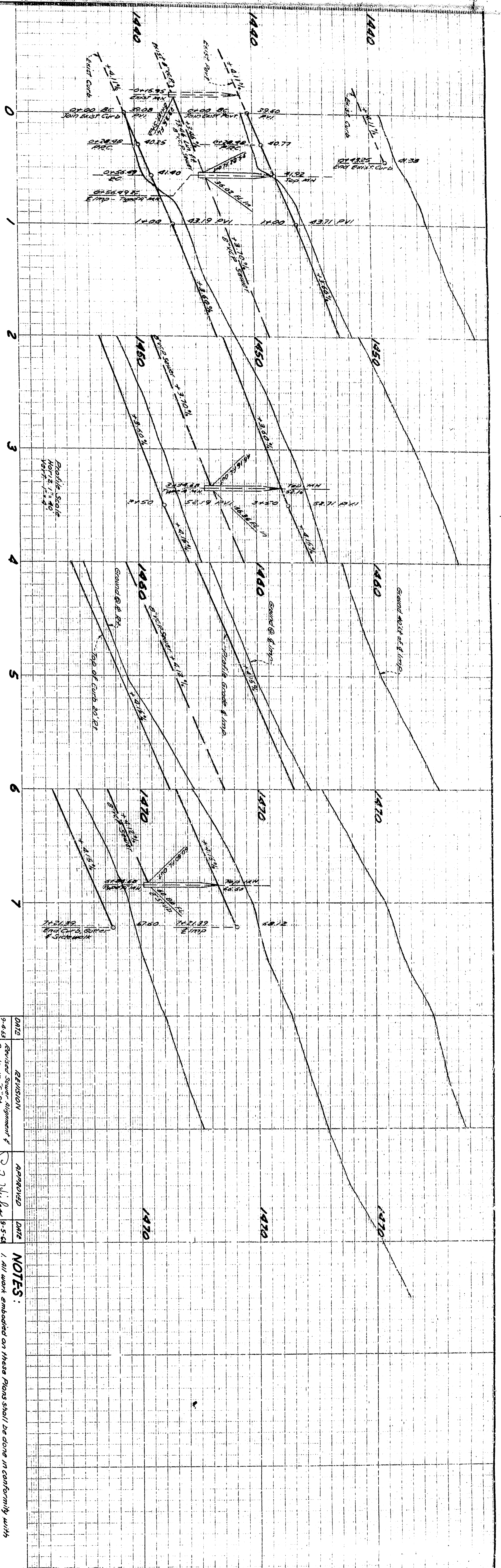
**NOTES:**

1. All work embodied on these Plans shall be done in conformity with applicable provisions of Specifications No. 2271.
2. All Standard Cross Sections of Curb, Gutter and Pavement are as per City of San Bernardino, Department of Engineering Std. Drawings No. 2321.
3. 3' x 4' Manholes with connecting sewer to be constructed, shown on plan thus:
4. All house connections shall be constructed on an upward grade of 2 percent from main sewer and shall extend from main sewer to the property line sewer and shall extend from main sewer to the property line sewer.
5. Sewer laterals shall be constructed of either "Wedge-Lock" or "Speed-Seal" type pipe or asbestos cement pipe.
6. All house connections are approximate and exact locations shall be determined in the field.
7. Manhole frames and covers to be constructed by Sewer Contractor. Below Official Grade shown and upon completion of paving, the Paving Contractor shall adjust manhole frames and covers to said Official Grade.
8. Manhole steps shall not be required. Manhole frames and covers shall be aluminum foundry No. 4-1/2" (Slight Knigh) or approved equal.
9. The existence and location of any underground utility pipes or structures shown on these Plans are obtained by a search of the available records. To the best of our knowledge there are no existing utilities except as shown on the drawings. It is the contractor's responsibility to locate and protect all other utilities not shown on these Plans.
10. Official MAPS, 1928 Case, No. 15, No. 16, No. 17 and No. 18 of NW Cor. 28th & St. - 18th 1928-29. (Per Tract No. 6428)
11. Soil Tests by a recognized Soil Testing Lab shall be required to determine the adequacy of the indicated Street Sections. If the results of the tests show the existing subgrade to be inferior, sufficient base material shall be placed to support the indicated surfacing and/or the surfacing thickness shall be increased.

J. J. WILLIAMS  
 REGISTERED CIVIL ENGINEER NO. 6918  
 R.C.E. No. 9790

DEPARTMENT OF ENGINEERING  
 CITY OF SAN BERNARDINO  
 IMPROVEMENT PLANS  
 TRACT NO. 6918

SUBMITTED BY CAMPBELL & WILLIAMS  
 APPROVED BY J. J. WILLIAMS  
 REGISTERED CIVIL ENGINEER NO. 6918  
 DRAWN BY J. J. WILLIAMS  
 CHECKED BY J. J. WILLIAMS  
 SHEET 1 OF 2 SHEETS



DATE	REVISION	APPROVED	DATE
9-4-51	Revised Sewer Alignment & Grade in 2'-5"	J. J. Williams	9-5-51

**NOTES:**

- All work embodied on these Plans shall be done in conformity with applicable provisions of Specifications No. 2271.
- All Standard Cross Sections of Curb, Gutter and Pavement are as per City of San Bernardino, Department of Engineering Std. Drawings No. 2321.
- 3' x 4' Manholes with connecting sewer to be constructed, shown on plan thus:
- All house connections shall be constructed on an upward grade of 2 percent from main sewer and shall extend from main sewer to the property line. Connections of either "Wedge-Lock" Sewer Adapters or "Band-Seal" clay pipe or asbestos cement pipe shall be used. Connections shall be constructed of either "Wedge-Lock" "Band-Seal" or "Band-Seal" clay pipe.
- All house connections are approximate and exact locations shall be determined in the field.
- Manhole frames and covers to be constructed by Sewer Contractor. Below Official Grade shown and upon completion of paving, the Paving Contractor shall adjust manhole frames and covers to said Official Grade.
- Manhole steps shall not be required. Manhole frames and covers shall be aluminum foundry No. 4-1/2" (Sloot Knight) or approved equal.
- The existence and location of any underground utility pipes or structures shown on these Plans are obtained by a search of the available records. To the best of our knowledge there are no existing utilities except as shown on the drawings. It is the contractor's responsibility to locate and mark any other lines not of record. The utility lines shown on this drawing are not to be used for any other purpose.
- Official MAP No. 129 (Case No. 11) of the end curb foot of NW Cor. 5th St. - 1st Ave. 1950-51. (Per Tract No. 6428)
- City of San Bernardino, 1942-51.
- Tract No. 6428 - 4th, 1942-51.
- Soil Tests by a recognized Soil Testing Lab shall be required to determine the adequacy of the indicated Street Sections. If the results of the tests show the existing subgrade to be inferior, sufficient base material shall be placed to support the indicated surfacing and/or the surfacing thickness shall be increased.

*J. J. Williams*  
 J. J. WILLIAMS  
 REGISTERED CIVIL ENGINEER NO. 6918  
 R.C.E. No. 6790

DEPARTMENT OF ENGINEERING  
 CITY OF SAN BERNARDINO  
 IMPROVEMENT PLANS  
 TRACT NO. 6918

SUBMITTED BY CAMPBELL & WILLIAMS  
 APPROVED BY J. J. WILLIAMS  
 REGISTERED CIVIL ENGINEER NO. 6918  
 SHEET 1 OF 3 SHEETS